

U-Tron (Beijing) Electronics Co., Ltd.

LED Indoor Lighting for Hotels Applications



LED HELIOS®



Andromeda



COMET



Moon Light



DRAGO



EXTENDUM

T8

Panel LED light

Milkyway

www.ledmilkyway.com

Environmentally Friendly

Economically Smart Solutions.



www.u-tron.com



U-Tron®

About U-Tron (Beijing) Electronics Co., Ltd.

U-Tron (Beijing) Electronics Co. Ltd is a wholly owned American enterprise established in China in 1992. Our innovative technology is developed in the U.S and our core manufacturing is centralized in China.

As an engineering company, we possess the resources to design, develop and manufacture high power LED luminaries. We are committed to employing the latest technologies with the highest level of quality, service and value to our customers and suppliers through a process of continuous improvement.

Customers and suppliers are encouraged to visit our BDA factory to review our manufacturing process and the strict ISO 9000 quality standards imposed on our entire product range. Today, U-Tron owns 1000 square meters of office space located in the Central Business District of Beijing and a 1,800 square meter factory in the Beijing Development Area of Yi Zhuang District.

U-Tron's central goal is to promote the use of sustainable energy; a critical step in responding to our current deteriorating environment.



Table of Contents

<u>Comet LED Spot Light</u>	<u>4</u>
<u>LED Helios Light Bulb</u>	<u>7</u>
<u>U-Candle LED Candle Light</u>	<u>11</u>
<u>Drago Par Lights</u>	<u>13</u>
<u>T8 Extendum Tube Lights</u>	<u>17</u>
<u>Milkyway LED Recessed Lights</u>	<u>22</u>
<u>Moon Light LED Panel Lights</u>	<u>25</u>
<u>Andromeda Series LED Lights</u>	<u>30</u>
<u>U-Tron Warranty</u>	<u>33</u>
<u>Order Form</u>	<u>37</u>

U-Tron LED Comet Spot Light



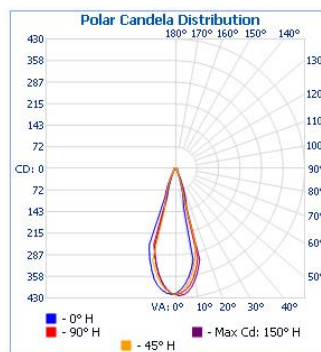
Light Features ■

Both are Sleek and stylish, that's U-Tron's Comet LED Spot Lights. It has a very focused beam, which is perfect for product displays, reading lights, glass cabinets, etc.

The Comet is a perfect replacement for traditional Halogen MR16 spot lights, beating them in every field; brightness, heat dissipation and lifespan. 3 watt will replace a 25 Watt Halogen and the 5.5 Watt will replace a 40Watt Halogen.

Illuminance at a Distance			
	Center Beam LUX	Beam Width	
0.5m	1,666.24 LUX	0.3m	0.3m
1.0m	416.56 LUX	0.5m	0.5m
1.5m	185.14 LUX	0.8m	0.8m
2.0m	104.14 LUX	1.1m	1.1m
2.5m	66.65 LUX	1.4m	1.3m
3.0m	46.28 LUX	1.6m	1.6m

■ Vert. Spread: 30.7° ■ Horiz. Spread: 30.1°



6 & 10 Watt G53



6 & 10 Watt G53



6 & 10 Watt G53

U-Tron LED Comet Spot Light



6870-P03-WQ5

3 Watt Comet Product Technical Data

General Information

Socket Type MR 16
Life Span 50000
 hr



Product Dimensions

Circular Dimensions 50 mm
Lamp Height 50 mm
Hole to Hole 87 mm
Distance
Width 18 mm
Height 10 mm

Light Characteristics

Efficacy 107 lm/W
Beam Angle 60, 45, 30, Dg
CCT 2700K
Flux 321 lm
Color Rendering In- 84
dex

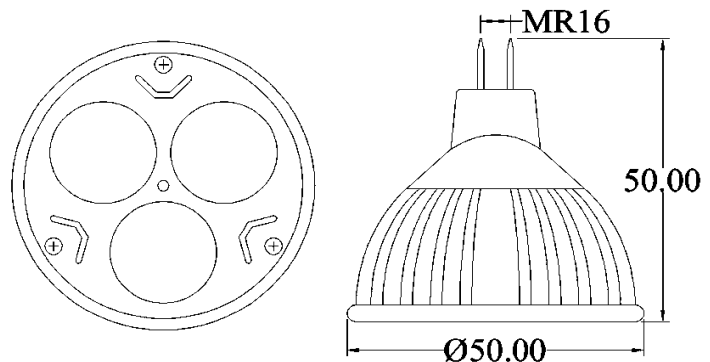
Ordering Information

Product Number 6870-P03-WQ5
Product Name Comet Spotlight MR 16
Product Ordering Comet 321 lm 3 W MR 16
Name

Electrical Characteristics

Wattage 3 W
Voltage 12 V DC or AC

Product Technical Drawing



U-Tron LED Comet Spot Light

6870-PO3- WQ5



5.5 Watt Comet Product Technical Data

General Information

Socket Type MR 16

Life Span 50000
 hr



Product Dimensions

Circular Dimensions 50 mm

Lamp Height 50 mm

Hole to Hole 87 mm
Distance

Width 18 mm

Height 10 mm

Light Characteristics

Efficacy 107 lm/W

Beam Angle 60, 45, 30, Dg

CCT 2700K

Flux 450 lm

Color Rending In- dex 84

Ordering Information

Product Number 6870-P03-WQ5

Product Name Comet Spotlight MR 16

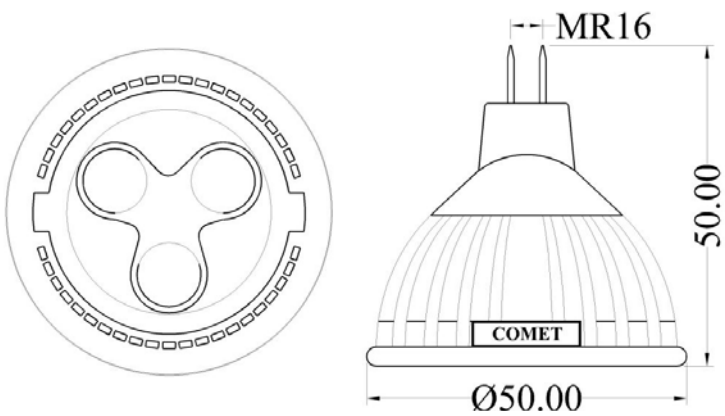
Product Ordering Comet 450 lm 5.5 W MR 16
Name

Electrical Characteristics

Wattage 5.5 W

Voltage 12 V DC or AC

Product Technical Drawing



U-Tron LED Comet Spot Light

6870-PO3- WQ5



6.5 Watt G53 Comet Product Technical Data

General Information

Socket Type G 53

Life Span 50000
hr



Light Characteristics

Efficacy 107 lm/W

Beam Angle 60, 45, 30, Dg

CCT 2700K

Flux 552 lm

Color Rending Index 84

Electrical Characteristics

Wattage 6.5 W

Voltage 12 V DC or AC

Product Dimensions

Circular Dimensions 50 mm

Lamp Height 50 mm

Hole to Hole Distance 87 mm

Width 18 mm

Height 10 mm

Ordering Information

Product Number 6870-P03-WQ5

Product Name Comet Spotlight G 53

Product Ordering Name Comet 552 lm 6.5 W G53

Product Technical Drawing

U-Tron LED Comet Spot Light

6870-P09- WQ5G



10 Watt G53 Comet Product Technical Data

General Information

Socket Type G 53

Life Span 50000
 hr



Product Dimensions

Circular Dimensions **50 mm**

Lamp Height **50 mm**

Hole to Hole
Distance **87 mm**

Width **18 mm**

Height **10 mm**

Light Characteristics

Efficacy 107 lm/W

Beam Angle 60, 45, 30, Dg

CCT 2700K

Flux 828 lm

Color Rending
Index 84

Ordering Information

Product Number 6870-P09-WQ5G

Product Name Comet Spotlight G 53

Product Ordering
Name Comet 828 lm 10 W G53

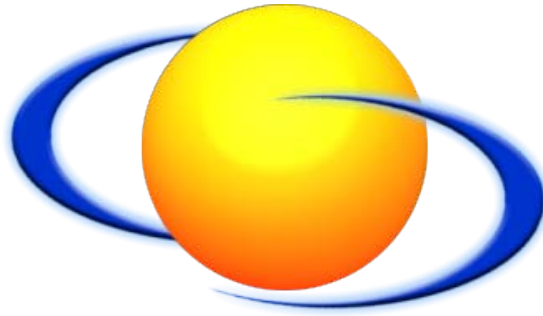
Product Technical Drawing

Electrical Characteristics

Wattage 10 W

Voltage 12 V DC or AC

U-Tron Helios LED Light Bulb



LED HELIOS[®]

Light Features

The Helios is the ideal LED replacement for traditional incandescent and CFL light bulbs. Helios' innovative heat sink design ensures perfect heat dissipation.

U-Tron's innovative design uses high power Cree LEDs to bring energy savings to your home and office.

The Helios is the perfect solution for general lighting applications and available in 3 versions: Helios ,Helios Junior & Helios D. They are all dimmable and comes in any CCT.



Helios



Helios Jr.



Helios D

U-Tron Helios LED Light Bulb



6850-P04-WQ5

5 Watt Helios Bulbs Product Technical Data

General Information

Socket Type	E 27
Life Span	50000 hr

Product Dimensions

Circular Dimensions	56 mm
Lamp Height	106mm



Red



Silver

Light Characteristics

Efficiency	74 lm/W
Beam Angle	150 D
CCT	2700K
Flux	370 lm
Color Rendering Index	85

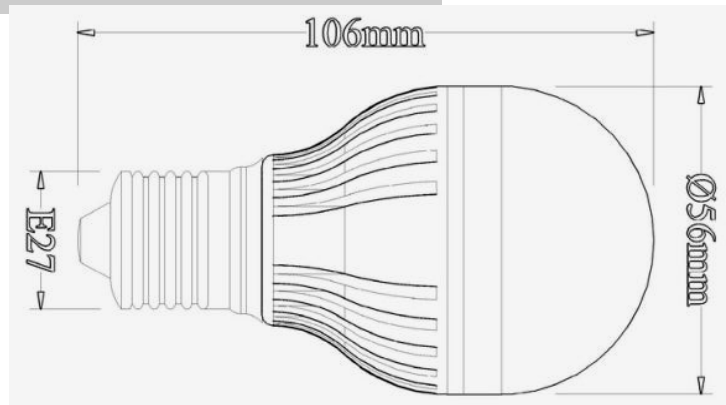
Ordering Information

Product Number	6850-P04-WQ5
Product Name	Helios 4 E 27
Product Ordering Name	Helios 4 E 27 370 lm 106mm 5.0 W WQ5

Electrical Characteristics

Wattage	5 W
Voltage	Universal

Product Technical Drawing



U-Tron Helios Jr. LED Light Bulb



6853-P03-WQ5

5 Watt Helios Bulbs Product Technical Data

General Information

Socket Type	E 27
Life Span	50000 hr

Product Dimensions

Oval Dimensions	49.5 mm
Lamp Height	84mm



The Little Light Bulb

Light Characteristics

Efficacy	83 lm/W
Beam Angle	150 D
CCT	2700K
Flux	250 lm
Color Rendering Index	85

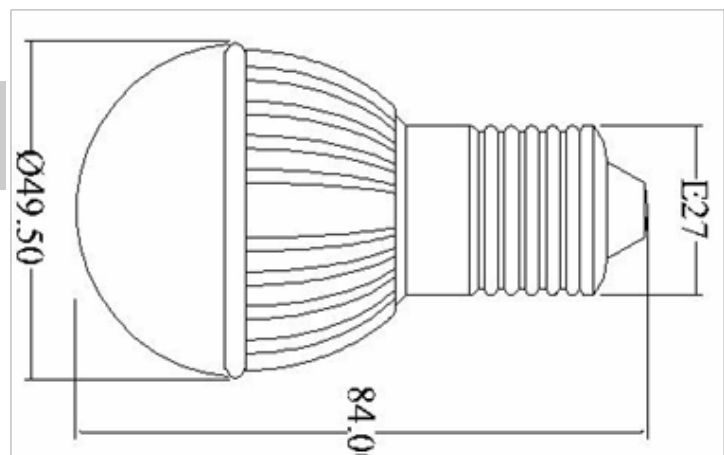
Ordering Information

Product Number	6853-P03-WQ5
Product Name	Helios Jr-3 E 27
Product Ordering Name	Helios Jr-3 250lm 84mm 3 W E37 WQ5

Electrical Characteristics

Wattage	3 W
Voltage	Universal

Product Technical Drawing



U-Tron Helios D LED Light Bulb

6852-P03-WQ5



5 Watt Helios Bulbs Product Technical Data

General Information

Socket Type	E 27
Life Span	50000 hr

Product Dimensions

Oval Dimensions	58 mm
Lamp Height	122 mm



Light Characteristics

Efficacy	78 lm/W
Beam Angle	150 D
CCT	2700K
Flux	300 lm
Color Rendering Index	85

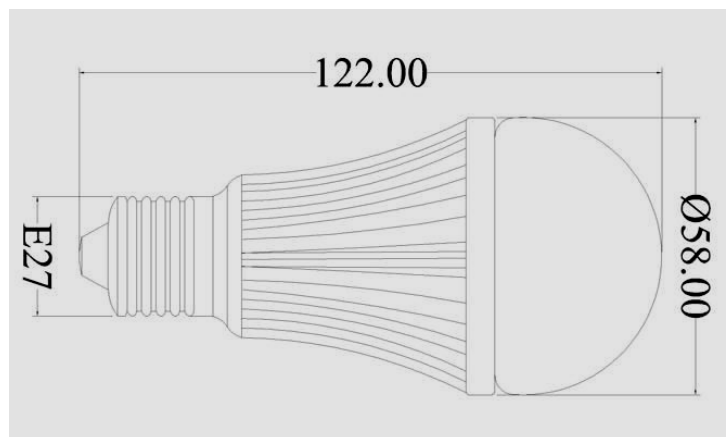
Ordering Information

Product Number	6852-P03-WQ5
Product Name	Helios D-3 E 27
Product Ordering Name	Helios D-3 300lm 3.8W E37 WQ5

Electrical Characteristics

Wattage	3.8 W
Voltage	Universal

Product Technical Drawing





U-Candle

Light Features

The U-Candle is the ideal LED replacement for conventional incandescent and CFL lights. U-Tron's innovative design uses high power Cree LEDs to bring energy savings to your home or office. The U-Candle is the perfect solution for general lighting applications



U-Tron U-Candle LED Light Bulb

6852-P03-WQ5F



3 Watt U-Candle Bulbs Product Technical Data

General Information

Socket Type	E 14
Life Span	50000 hr



Product Dimensions

Oval Dimensions	40 mm
Lamp Height	109 mm

Frosted Lid

Light Characteristics

Efficacy	85 lm/W
Beam Angle	360 D
CCT	3000K
Flux	255 lm
Color Rendering Index	85

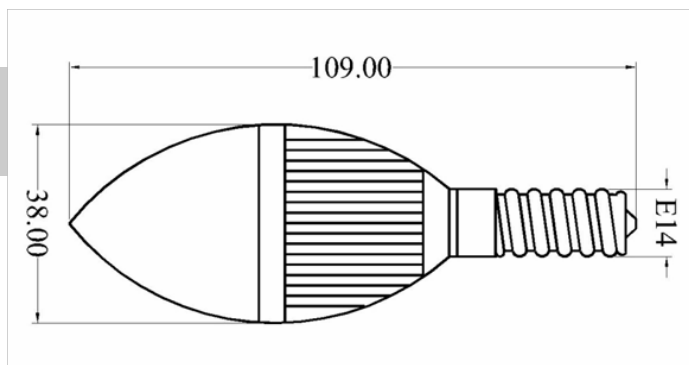
Ordering Information

Product Number	6855-LQ1-WW3WF
Product Name	U-Candle E14
Product Ordering Name	U-Candle 255 lm 38mm 3W E 14 WW Frosted Lid

Electrical Characteristics

Wattage	3W
Voltage	Universal

Product Technical Drawing



U-Tron U-Candle LED Light Bulb

6852-P03-WQ5T



3 Watt U-Candle Bulbs Product Technical Data

General Information

Socket Type	E 14
Life Span	50000 hr



Product Dimensions

Oval Dimensions	40 mm
Lamp Height	109 mm

Transparent Lid

Light Characteristics

Efficacy	85 lm/W
Beam Angle	360 D
CCT	3000K
Flux	255 lm
Color Rendering Index	85

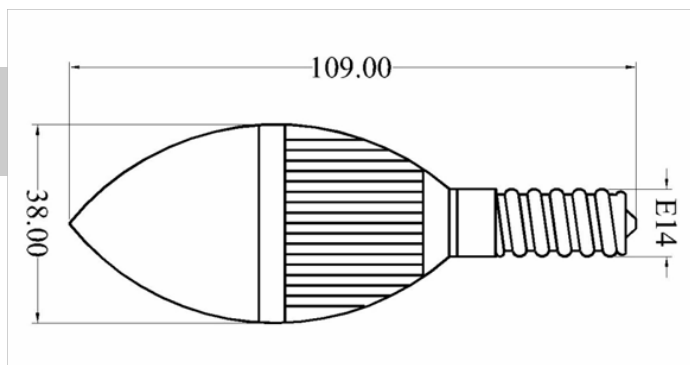
Ordering Information

Product Number	6855-LQ1-WW3W
Product Name	U-Candle E14
Product Ordering Name	U-Candle 255 lm 38mm 3W E 14 WW Clear Lid

Electrical Characteristics

Wattage	3W
Voltage	Universal

Product Technical Drawing



U-Tron Drago PAR Light



Light features:

We call our PAR—Drago. They comes in many forms and factor to enable exact retrofit into the existing housings. We are following the Zhaga standards to keep these most popular lights fits into your lighting needs





68DP-P12-38CR5E27

13 Watt Drago PAR 38 Product Technical Data

General Information

Socket Type	E27
Life Span	50000 hr



Product Dimensions

Oval Dimensions	120 mm
Height	158 mm

Light Characteristics

Efficacy	113lm/W
Beam Angle	150 D
CCT	4000K
Flux	1486 lm
Color Rending Index	72

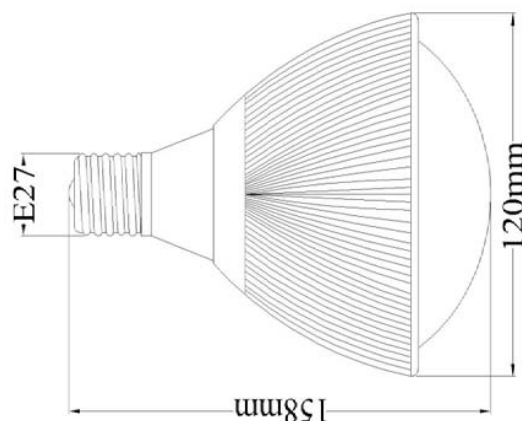
Ordering Information

Product Number	68DP-P12-38CR5E27
Product Name	Drago 12 Par 38 E27
Product Ordering Name	Drago Par 38 E27 13W

Electrical Characteristics

Wattage	13 W
Voltage	Universal

Product Technical Drawing





68DP-P12-30CR5E27

12 Watt Drago PAR 30 Product Technical Data

General Information

Socket Type	E27
Life Span	50000 hr

Product Dimensions

Oval Dimensions	95 mm
Height	102 mm



Light Characteristics

Efficacy	66.65 lm/W
Beam Angle	165 D
CCT	4000K
Flux	800 lm
Color Rending Index	75

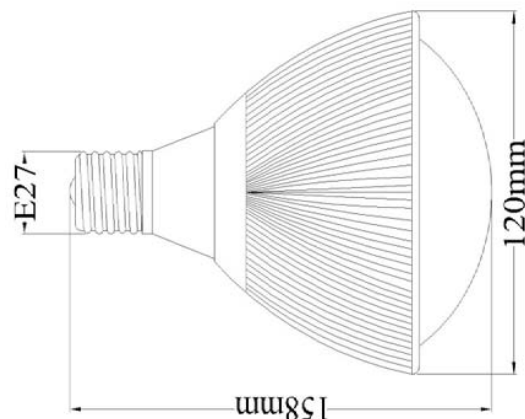
Ordering Information

Product Number	68DP-P12-30CR5E27
Product Name	Drago Par 30
Product Ordering Name	Drago Par 30 12W

Electrical Characteristics

Wattage	12 W
Voltage	Universal

Product Technical Drawing





68DP-P03-20CR5E27

3.4 Watt Drago PAR 20 Product Technical Data

General Information

Socket Type	E27
Life Span	50000 hr

Product Dimensions

Oval Dimensions	60 mm
Height	85 mm



Light Characteristics

Efficacy	122 lm/W
Beam Angle	150 D
CCT	4000K
Flux	417 lm
Color Rending Index	80

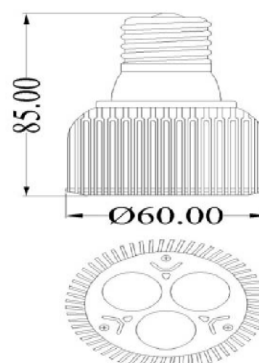
Ordering Information

Product Number	68DP-P03-20CR5E27
Product Name	Drago Par 20
Product Ordering Name	Drago Par 20417lm 60mm 3.4W

Electrical Characteristics

Wattage	3.4 W
Voltage	Universal

Product Technical Drawing



U-Tron Extendum T8 LED Tube Light

EXTENDUM T8

Light features:

U-Tron's Extendum T8 LED Tube Lights are the environmentally friendly and cost efficient answer to traditional T8 tube lights. Besides a perfect retrofit for 4 different tubes, Extendum T8 also offers great quality lighting in different colors, such as Cool White, Warm White & Natural White. U-Tron's signature design allows for a brightness that is equal to traditional tube lights, with consistent coverage. The Extendum is the perfect solution for general indoor lighting applications, such as offices, shops, and homes.

Safety is a very important aspect. Extendum T8 LED Tube Lights have been tested extensively and safe usage and replacement are guaranteed.



68T8-200-N1529

29 Watt Extendum T8 Tube Product Technical Data

General Information

Socket Type	G13
Life Span	50000 hr



Product Dimensions

Oval Dimensions	26 mm
Bipin Distance B1	127 mm
Mounting Hole Distance D2	26 mm
Length L1	1513 mm
Length L2	1501 mm

Light Characteristics

Efficacy	75.65 lm/W
Beam Angle	165 D
CCT	4000K
Flux	2245 lm
Color Rending Index	75

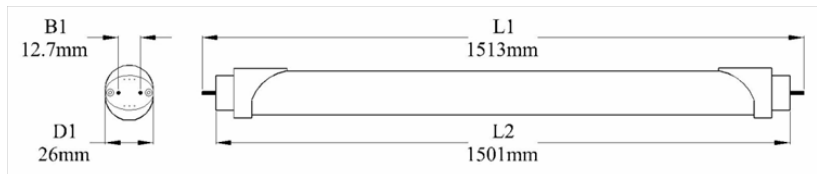
Ordering Information

Product Number	68T8-200-N1529
Product Name	Extendum T-8
Product Ordering Name	Extendum T8 2245lm 1500mm 29 W G13

Product Technical Drawing

Electrical Characteristics

Wattage	29 W
Voltage	Universal



68T8-160-N1221

21 Watt Extendum T8 Tube Product Technical Data

General Information

Socket Type	G13
Life Span	50000 hr



Product Dimensions

Oval Dimensions	25 mm
Bipin Distance B1	127 mm
Mounting Hole Distance D2	31 mm
Length L1	1215 mm
Length L2	1203 mm

Light Characteristics

Efficacy	80.90 lm/W
Beam Angle	165 D
CCT	4000K
Flux	1700 lm
Color Rending Index	75

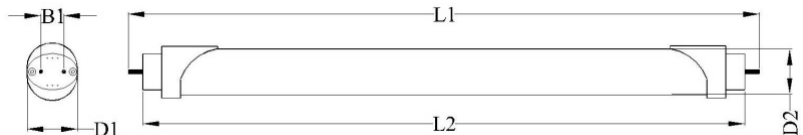
Ordering Information

Product Number	68T8-160-N1221
Product Name	Extendum T-8
Product Ordering Name	Extendum T8 1700lm 1200mm 21 W G13

Product Technical Drawing

Electrical Characteristics

Wattage	21 W
Voltage	Universal



68T8-080-06C11

11.6 Watt Extendum T8 Tube Product Technical Data

General Information

Socket Type	G13
Life Span	50000 hr



Product Dimensions

Oval Dimensions	26 mm
Bipin Distance B1	12.7 mm
Mounting Hole Distance D2	26mm
Length L1	605 mm
Length L2	592 mm

Light Characteristics

Efficacy	87.09 lm/W
Beam Angle	160 D
CCT	4000K
Flux	1000 lm
Color Rending Index	70.3

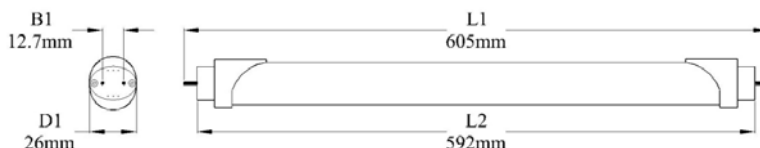
Ordering Information

Product Number	68T8-080-06C11
Product Name	Extendum T-8 600mm
Product Ordering Name	Extendum T8 1002lm 600mm 11.6 W G13

Product Technical Drawing

Electrical Characteristics

Wattage	11.6 W
Voltage	Universal



68T8-040-06W11

6 Watt Extendum T8 Tube Product Technical Data

General Information

Socket Type	G13
Life Span	50000 hr



Product Dimensions

Oval Dimensions	26 mm
Bipin Distance B1	12.7 mm
Mounting Hole Distance D2	26mm
Length L1	313 mm
Length L2	300 mm

Light Characteristics

Efficacy	83.00 lm/W
Beam Angle	160 D
CCT	4000K
Flux	500 lm
Color Rending Index	75

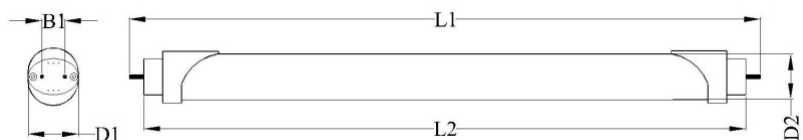
Ordering Information

Product Number	68T8-040-06W11
Product Name	Extendum T-8 300mm
Product Ordering Name	Extendum T8 500lm 300mm 6W

Product Technical Drawing

Electrical Characteristics

Wattage	6 W
Voltage	Universal



U-Tron Milkyway Panel LED Light

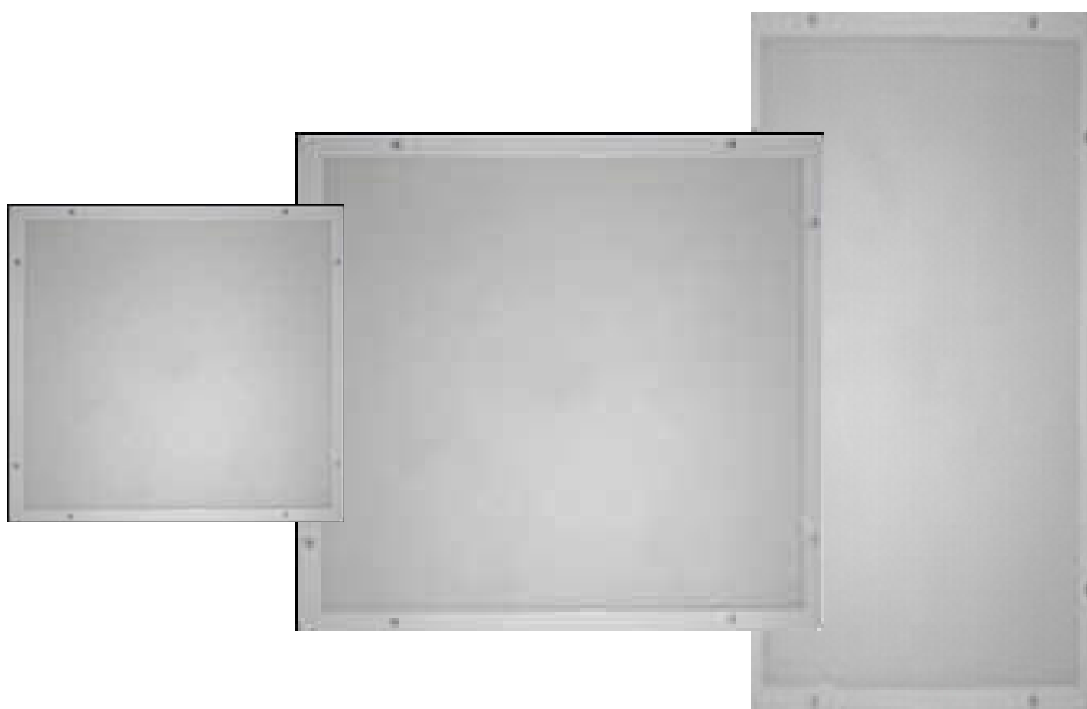
Panel LED light

Milkyway

www.ledmilkyway.com

Light features:

U-Tron's super flat, low power consuming and elegant Milkyway LED Panel using the edge Light technology to bring you the perfect solution for any situation that requires elegant and subtle lighting. The Milkyway LED Panel Light is very suitable for residential lighting, but also for hotels, restaurants and shops. Its low power consumption and slim form make it convenient for every location.

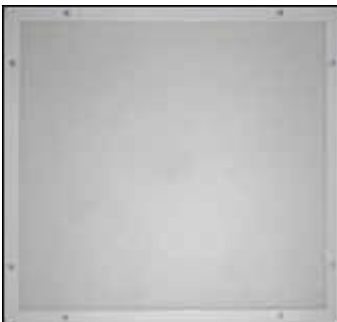




45 Watt Milkyway Panel Product Technical Data

General Information

Heatsink	6063-T5 Aluminum Alloy
Life Span	50000 hr



Light Characteristics

Efficacy	73.3 lm/W
Beam Angle	120 D
CCT	2700K
Flux	1100 lm
Color Rending Index	85

Electrical Characteristics

Wattage	45 W
Voltage	Universal

Product Dimensions

Lamp Length	300 mm
Lamp Width	300 mm
Lamp Height	15mm

Ordering Information

Product Number	68MW-028-W5050
Product Name	Milkyway LED Panel Light
Product Ordering Name	Milkyway 300x300x15 1100 lm 15 W

Product Technical Drawing



60 Watt Milkyway Panel Product Technical Data

General Information

Heatsink 6063 T-5
 Aluminum Alloy
Life Span 50000 hr

Product Dimensions

Lamp Length 600 mm
Lamp Width 1200 mm
Lamp Height 15mm



Light Characteristics

Efficacy 73.3 lm/W
Beam Angle 120 D
CCT 2700K
Flux 4400 lm
Color Rending In- dex 85

Ordering Information

Product Number 68MW-112-W5050
Product Name Milkyway 600x1200
Product Ordering Name Milkyway 600x1200 4400lm 60 W WR4

Product Technical Drawing

Electrical Characteristics

Wattage 60 W
Voltage Universal

U-Tron Moon Light Series LED Down lights



Light features:

U-Tron's manufactures many kinds of down lights. We named them the Moon Light series. From the 10Watt slimmest Moon Light to the 50 Watt Recessed will deliver unparalleled brightness. It is great for hotels or office applications. These are non intrusive and comes in many forms and factors.



U-Tron Moon Light Series—Ultra Thin



68ML-150-CSMD

12 Watt Ultra thin Moon-Light Product Technical Data

General Information

Heat sink	6063 T-5 Aluminum Alloy
Life Span	50000 hr

Product Dimensions

Diameter	182 mm
Open Hole Diameter	163mm
Height	29mm



Light Characteristics

Efficacy	125 lm/W
Beam Angle	160 D
CCT	2700K
Flux	1500 lm
Color Rendering Index	87

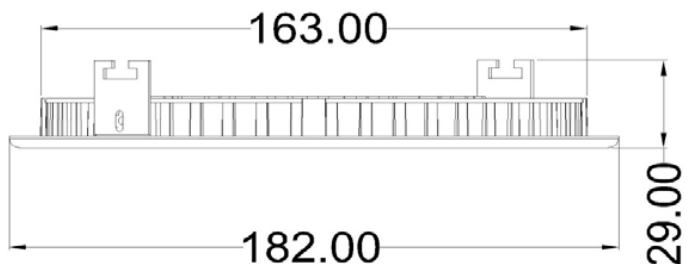
Ordering Information

Product Number	68ML-150-CSMD
Product Name	Moon Light 150C
Product Ordering Name	Moon Light 150 1500lm

Product Technical Drawing

Electrical Characteristics

Wattage	12 W
Voltage	Universal



U-Tron 5" Recessed Moon Light



68ML-RS5-WW17

17 Watt Recessed Moon-Light Product Technical Data

General Information

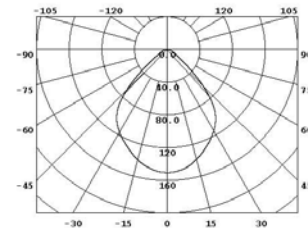
Heatsink	6063 T-5 Aluminum Alloy
Life Span	50000 hr



Product Dimensions

Diameter	130mm
Open Hole Diameter	125mm
Height	70mm

Philips FORTIMO
inside



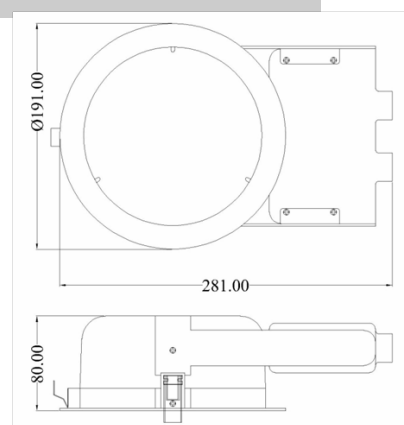
Light Characteristics

Efficacy	64 lm/W
Beam Angle	60D
CCT	2700K
Flux	1134 lm
Color Rending Index	83

Ordering Information

Product Number	68ML-RS5-WW17
Product Name	Moon Light 5"
Product Ordering Name	Moon Light RS 5" CR5

Product Technical Drawing



Electrical Characteristics

Wattage	17 W
Voltage	Universal

U-Tron 7" Recessed Moon Light



68ML-RS7-BC17

17 Watt Recessed Moon-Light Product Technical Data

General Information

Heatsink	6063 T-5 Aluminum Alloy
Life Span	50000 hr



Product Dimensions

Diameter	190mm
Open Hole Diameter	178mm
Height	80mm

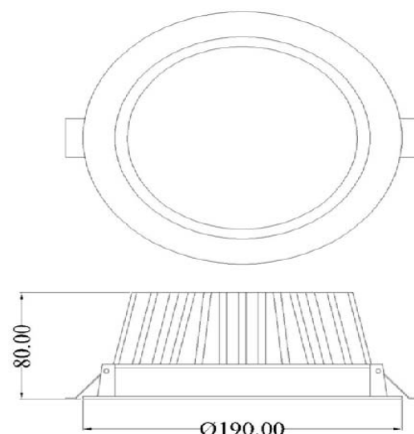
Light Characteristics

Efficacy	75 lm/W
Beam Angle	60 D
CCT	6500K
Flux	1352lm
Color Rending Index	71

Ordering Information

Product Number	68ML-RS7-BC17
Product Name	Moon Light 7"
Product Ordering Name	Moon RS 7" CR5

Product Technical Drawing



Electrical Characteristics

Wattage	17 W
Voltage	Universal

U-Tron "L" Moon Light



68ML-RL7-WC16

16 Watt Recessed Moon-Light Product Technical Data

General Information

Heatsink	6063 T-5 Aluminum Alloy
Life Span	50000 hr



Light Characteristics

Efficacy	62.5 lm/W
Beam Angle	60 D
CCT	2600K
Flux	1352 lm
Color Rending Index	85

Electrical Characteristics

Wattage	16 W
Voltage	Universal

Product Dimensions

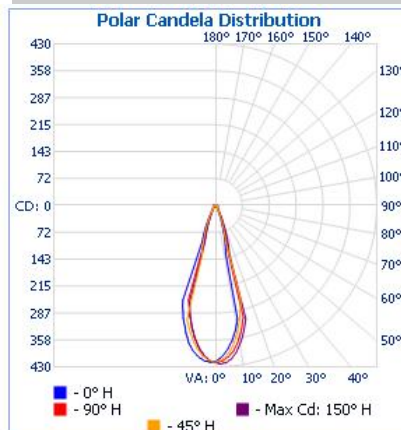
Diameter	191 mm
Open Hole Diameter	178mm
Height	80mm

Philips Inside

Ordering Information

Product Number	68ML-RL7-WC16
Product Name	Moon Light L
Product Ordering Name	Moon light RL 1000lm 7inch 16W CR5

Product Technical Drawing



Andromeda

Light features:

Andromeda LED can be waterproof module, or just for indoor, is a perfect solution for any decorative LED application for indoor or outdoor use. Each meter consists of 100 medium output LEDs to ensure optimal result. It is a low wattage LED that ensure energy efficient and low cost solution.





68ML-RGB-WTC3-A

1 Watt Andromeda Backlight Modules Product Technical Data

General Information

Max Connection	30 Leg
Life Span	20000 hr



Product Dimensions

Total Length	95 mm
Body Length	77 mm
Hole to Hole Distance	87 mm
Width	18 mm
Height	10 mm

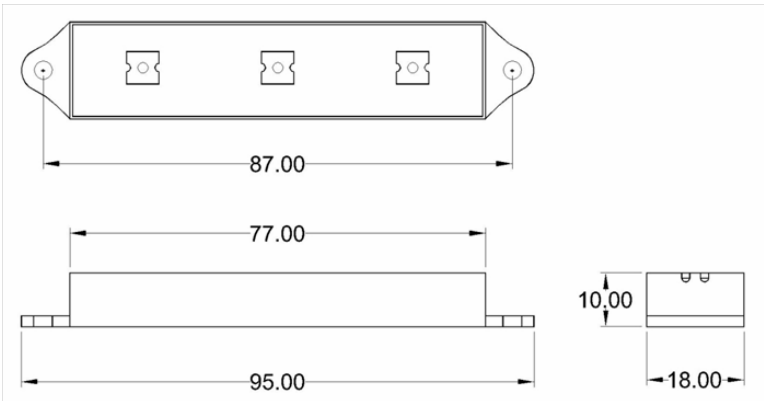
Color Parameters

Red	625-630NM
Amber	595NM
Cool White 1	7000K
Cool White 2	5100K
White 3	4200K
Warm White 4	3500K
Warm White 5	2800K
Green	520NM
Blue	470NM

Ordering Information

Product Number	68ML-RGB-WTC3-A
Product Name	Andromeda LED Module
Product Ordering Name	Trichip LED 5050 12 V 0.72 W

Product Technical Drawing





68AN-ROP-WP30K

10 Watt per Meter Andromeda Ropes Technical Data

General Information

Socket Type	AC Plug
Life Span	20000 hr



Product Dimensions

Total Length	2 meters
Body Length	1.9 Meters
Hole to Hole Distance	87 mm
Width	7 mm
Height	13.5 mm

Light Characteristics

Efficacy	29.57 lm/W
Beam Angle	150 D
CCT	3000K
Flux	600 lm
Color Rendering Index	66

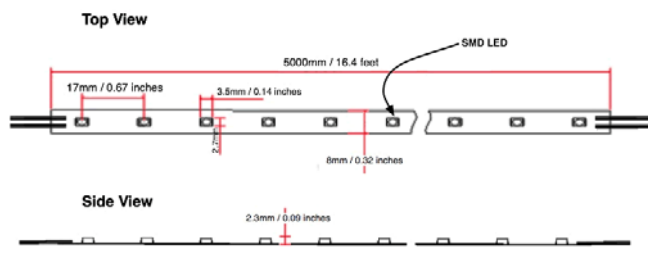
Ordering Information

Product Number	68AN-ROP-WP30K
Product Name	Andromeda Rope Light
Product Ordering Name	Andromeda Rope Light Waterproof 3000K

Electrical Characteristics

Wattage	20 W
Voltage	Universal

Product Technical Drawing



U-Tron Warranty

U-Tron (Beijing) Electronics Co. Ltd., warrant the products listed bellow for a period of 36 months from the date of shipment to be free from defects in material or workmanship and to be of the kind and quality designated or specified in the purchase agreements. If any products do not meet the above warranty and the buyer promptly files a warranty claim U-Tron shall do the following:

1. U-Tron shall provide a 12 month “No Questions Asked” replacement of any faulty units at no charge to the customer. The time limit for exchange shall not exceed 30 days from the time a claim is filed by the buyer. The buyer shall return the faulty units within 30 days of filing the claim. The method of returning the faulty units to U-Tron shall be decided at that time by U-Tron and all shipping charges shall be borne by U-Tron.
2. At the end of the 12 month period U-Tron shall provide additional free extended warranty for another 24 months. During this 24 month period U-Tron shall repair or replace and re-certify all faulty units returned. Shipping charges for sending the units to U-Tron shall be the responsibility of the Buyer and the Shipping charges to return the repaired goods to the buyer shall be borne by U-Tron. Time limit for repairs shall not exceed 60 days.
3. The warranties set forth herein shall be voided if the units have been 1) repaired or altered by any un-authorized person 2) subjected to misuse, negligence and accidents or operated in other than normal operation and use. 3) Connected, installed or modified in a manner not in accordance with U-Tron instructions.
This warranty is applicable to all LED Products.
4. U-Tron at our own option can elect to provide replacement units at any desired percentage to be warehoused and logged by the buyers for timely service of the extended warranty replacements. When the warranty expires the bad units and the unused spare parts items shall be shipped back to U-Tron unless otherwise stipulated in the contract or purchase agreements. If the warehoused quantities become 90% used up or nearing the end of stock, the buyers shall ship back the faulty units to U-Tron. U-Tron shall rotate the spare parts inventory with in 60 days of receiving from the buyers.
5. All warranty claim items shall by shipped to the buyers regardless of the geographical location, by air freight to the nearest airport or courier service to the customer site, and any returning items can be shipped by sea or air freight at the request of U-Tron. If the customer fails to return the said faulty units with in the time frame as instructed, it will be considered as sold and U-Tron reserve the rights to bill the customer for its full value.
6. U-Tron shall not bare any responsibilities with the buyer’s customer claims or shall not bare any other expenses incurred other than the units cost it self. Customer site un-installation and re-installation of any faulty units shall not be the responsibility of U-Tron.

For more up-to-date information please visit

www.U-Tron.com




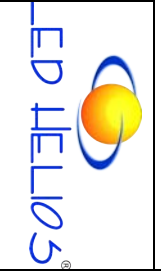
Photo	Product Name/Logo	Ordering Part Number	Socket Type	Watt	CT	Lumens	Dimmable?	Efficacy lm/w	Description	Replacement Value	QTY	Price
		6870-P03-WQ5M16	MR16	3	2700K	321	Yes	94.41	Number of LED: 3 Cree Chips Input Voltage: 12v DC/AC Dimension: 50mm Diameter	Halogen 20-30W		
		6870-P55-WQ5M16	MR16	5.5	2700K	450	Yes	81.82	Number of LED: 3 Cree Chips Input Voltage: 12v DC/AC Dimension: 50mm Diameter	Halogen 50W		
		6870-P06-CG53DC9	G53	6.5	2700K	552	Yes	84.92	Number of LED: 6 Cree Chips Input Voltage: 12v DC/AC Dimension:	50W Halogen		
		6870-P09-CG53DC9	G53	10	2700K	828	Yes	82.80	Number of LED: 9 Cree Chips Input Voltage: 12v DC/AC Dimension:	50W Halogen		
		6850-P04-CR5E27	E27	5	5500K	400	Yes	80.00	Number of LED: 4 Cree Chips Input Voltage: Universal Dimension:	60W Incandescent		
		6850-P04-WQ5E27	E27	5	2700K	556	Yes	111.20	Number of LED: 4 Cree Chips Input Voltage: Universal Dimension:	60W Incandescent		













Photo	Product Name/Logo	Ordering Part Number	Socket Type	Watt	CCT	Lumens	Dimmable?	Efficacy lm/W	Description	Replacement Value	QTY	Price
		6853-P03-CR5E27	E27, E14, GU10	3	5500K	320	Yes	106.67	Number of LED: 3 Cree Chips Input Voltage: Universal Dimension:	40W Incandescent		
		6853-P03-WQ5E27	E27, E14, GU10	3	2700K	250	Yes	83.33	Number of LED: 3 Cree Chips Input Voltage: Universal Dimension:	40W Incandescent		
		6852-P03-WQ5E27	E27	3.8	2700K	300	Yes	78.95	Number of LED: 3 Cree Chips Input Voltage: Universal Dimension:	40W Incandescent		
		6855-LQ1-WW3W	E14	3	2700K	255	YES	85.00	Number of LED: 3 Cree Chip Input Voltage: Universal Dimension:	25W Incandescent		
		6855-LQ1-WW3W	E14	3	2700K	255	YES	85.00	Number of LED: 3 Cree Chip Input Voltage: Universal Dimension:	25W Incandescent		
		68DP-P12-38WQ5	E27	11.7	2700K	1115	Yes	95.30	Number of LED: 12 Cree Chips Input Voltage: Universal Dimension:	80W Halogen		












Photo	Product Name/Logo	Ordering Part Number	Socket Type	Watt	CCT	Lumens	Dimmable?	Efficacy lm/w	Description	Replacement Value	QTY	Price
		68DP-P12-30WQ5	E27	5	2700K	475	Yes	95.00	Number of LED: 12 Cree Chips Input Voltage: Universal Dimension:	80W Halogen		
		68DP-P12-20CR5E27	E27	3.4	2700K	417	Yes	122.65	Number of LED: 6 Cree Chips Input Voltage: Universal Dimension:	50W Halogen		
		68ML-RSS-WC10	Hard wired	17	2700K	1134	Yes	66.71	Number of LED: 12 Cree Chips Input Voltage: Universal Dimension: 130mm Diameter	comparable to the traditional 2 x 13W CFL down light		
		68ML-RL7-WC16	Hard wired	16	2700K	1000	Yes	62.50	Number of LED: 12 Cree Chips Input Voltage: Universal Dimension: 130mm	comparable to the traditional 2 x 13W CFL down light		
		68ML-RS7-BC15	Hard wired	10	2700K	1000	Yes	100.00	Number of LED: 12 Cree Chips Input Voltage: Universal Dimension:	comparable to the traditional 2 x 13W CFL down light		
		68DP-P05-53WQ512	Hard wired	12	2500K	900	Yes	75.00	Number of LED: 5 Cree Chips Input Voltage: Universal Dimension: 111 Diameter	35W G53 Replacement		














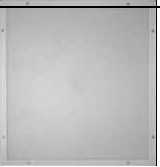


Photo	Product Name/Logo	Ordering Part Number	Socket Type	Watt	CCT	Lumens	Dimmable?	Efficacy lm/w	Description	Replacement Value	QTY	Price
		68ML-150-CSMD	Hard wired	12	2700K	1500	Yes	125.00	Number of LED: Cree Chips Input Voltage: Universal Dimension:	comparable to the traditional 2 x 13W CFL down light		
		68T8-040-N0306	G13	6	4000K	500	No	83.33	Number of LED: 40 Cree Chips Input Voltage: Universal Dimension: 50mm Diameter			
		68T8-080-N0611	G13	11	4000K	1002	No	91.09	Number of LED: 80 Cree Chips Input Voltage: Universal Dimension: 50mm Diameter	18w Fluorescent		
		68T8-160-N1221	G13	21	4000K	1700	No	80.95	Number of LED: 160 Cree Chips Input Voltage: Universal Dimension: 50mm Diameter	58w Fluorescent		
		68T8-200-N1525	G13	29	4000K	2245	No	77.41	Number of LED: 200 Cree Chips Input Voltage: Universal Dimension: 50mm Diameter	80w Fluorescent		
		68ML-RGB-WTC3-A	Hard Wired	0.72	Varies depending on Color	60	Yes	83.33	Number of LED: 3 Cree Chips Input Voltage: Universal Dimension: Varies depending on length			

Photo	Product Name/Logo	Ordering Part Number	Socket Type	Watt	CCT	Lumens	Dimmable?	Efficacy lm/w	Description	Replacement Value	QTY	Price
	 Andromeda Rope Light	68AN-ROP-WP30K	AC Plug	20	3000K	600	Yes	30.00	Number of LED: Varies depending on Length Input Voltage: Universal Dimension: Varies depending on length			
	 Milkyway Panel Light	68MW-028-W5050	Hard wired	45	4000K	3000	Yes	66.67	Number of LED: Varies depending on Length Input Voltage: Universal Dimension: Varies depending on length	2 x 18 W Fluorescent Tube Lights		
	 Milkyway Panel Light	68MW-112-W5050	Hard wired	60	4000K	4400	Yes	73.33	Number of LED: Varies depending on Length Input Voltage: Universal Dimension: Varies depending on length	2 x 58 W Fluorescent Tube Lights		

www.u-tron.com



In Beijing:

U-Tron (Beijing) Electronics Co.
5 South Jiuxianqiao Road
Chaoyang District, Beijing, China 100016
Tel: +86-10-6568-2990 or +86-1370-120-2197

In Hong Kong:

U-Tron Company
7th Floor, 155 Hennessy Road
Wanchai Hong Kong
Hong Kong SAR
+852-9833-9782

In Sri Lanka:

U-Tron Lanka Electronics
5 South Jiuxianqiao Road
Chaoyang District, Beijing, China 100016
Tel: +86-10-6568-2990 or +86-1370-120-2197

In Australia:

U-Tron (Australia) Electronics Co.
5 South Jiuxianqiao Road
Chaoyang District, Beijing, China 100016
Tel: +86-10-6568-2990 or +86-1370-120-2197

In Canada:

U-Tron International Inc.,
#16 1305 - 33rd Street N.E.
Calgary Alberta T2A 5P1 Canada
1 403 608 7266

In India:

U-TRON (India) Elect. CO
NO 3 SRIRAM COLONY, NANJUNDAPURAM
ROAD Ramanathapuram, Coimbatore
Tamil Nadu 641045 India